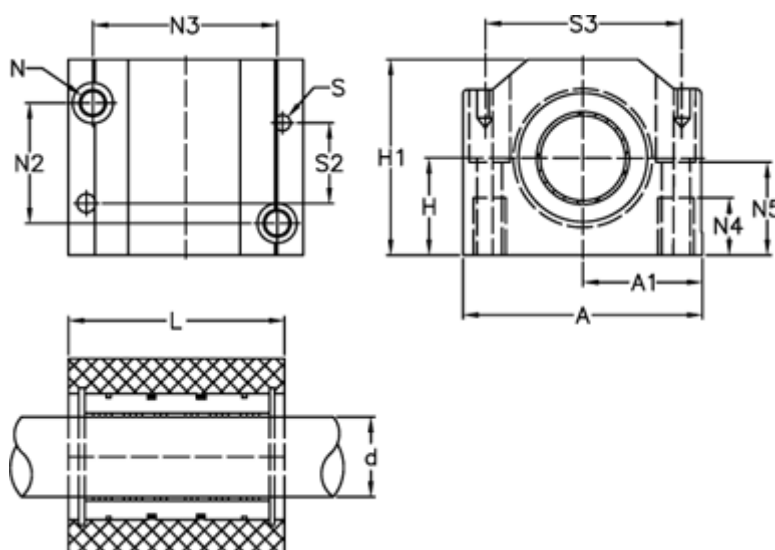


Article number: 5030012

Description: Closed pillow block PM 12  
FM standard bearing included

## Measures



A = 43	N4 = 11
A1 = 21.5	N5 = 16.5
H = 18	S = 4
H1 = 35	S2 = 32
L = 39	S3 = 34
N = M5 x 0,8	Static load (kg) = 806
N2 = 23.15	Weight (kg) = 0.118
N3 = 32.15	